

THERMOSTATIC STEAM TRAPS AND AIR VENTS TH21

DESCRIPTION

The ADCA TH21 series thermostatic steam traps and air vents are specifically designed for use on process equipment such as kettle cookers, sterilizers, food, chemical and laundry equipment.

MAIN FEATURES

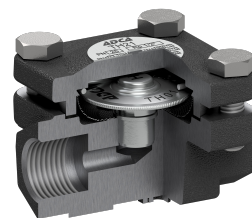
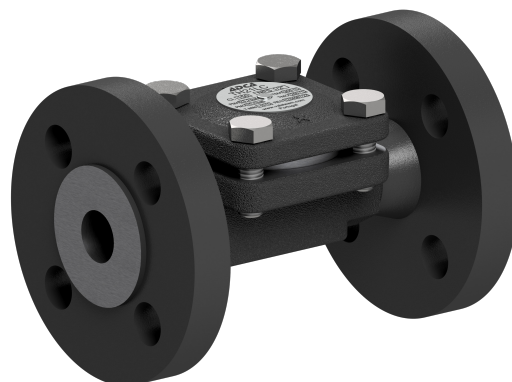
Modulating discharge.
Discharges condensate close to steam saturation temperature.
Thermostats for different sub coolings (5 to 30 °C).
Excellent air discharge.
Operates with moderate superheated steam.
Built-in strainer.

USE: Saturated steam.

AVAILABLE MODELS: TH21 – carbon steel.
TH21LC – carbon steel, low capacity.

SIZES: 1/2"; DN 15.

CONNECTIONS: Female threaded ISO 7 Rp or NPT.
Flanged EN 1092-1 PN 25.
Flanged ASME B16.5 Class 150.
Socket weld (SW) ASME B16.11.
Butt weld (BW) ASME B16.25 on request.



CE MARKING – GROUP 2 (PED – EUROPEAN DIRECTIVE)

PN 25	CATEGORY
1/2" – DN 15	SEP

BODY LIMITING CONDITIONS

FLANGED PN 25 *	FLANGED CLASS 150 **	RELATED TEMPERATURE
ALLOWABLE PRESSURE	ALLOWABLE PRESSURE	
23,2 bar	15,4 bar	100 °C
20,8 bar	13,8 bar	200 °C
19 bar	12,1 bar	250 °C

PMO – Maximum operating pressure: 21 bar.
TMO – Maximum operating temperature: 250 °C.

* According to EN 1092-1:2018.

** According to EN 1759-1:2004.

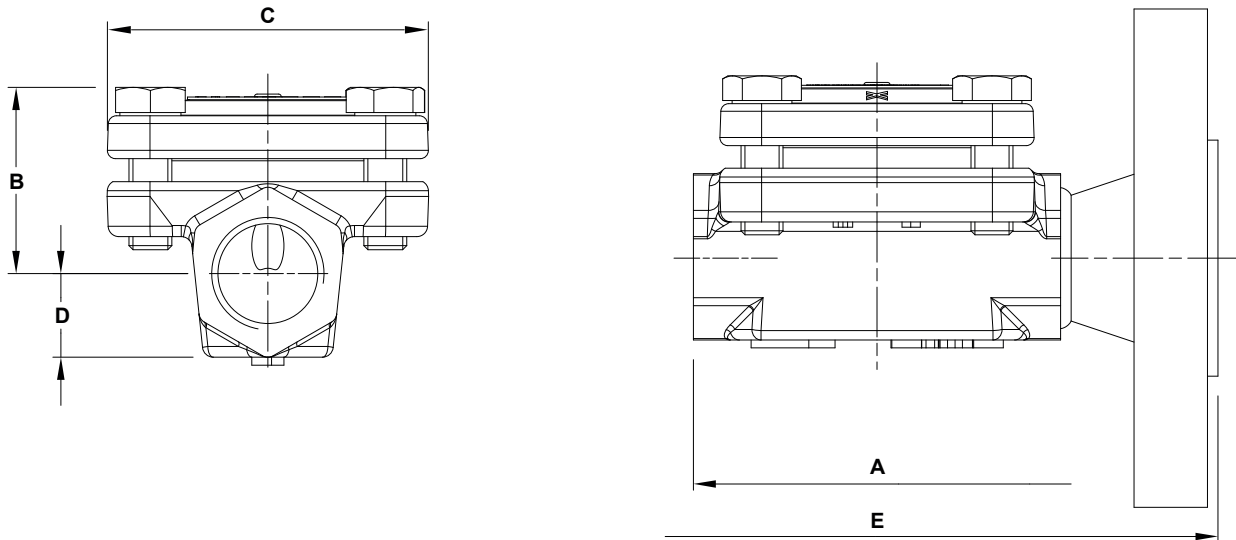
Body limiting conditions PN 25 or below, depending on the type of connection adopted. Rating PN 25 for threaded version.

FLOW RATE CAPACITY (kg/h)

MODEL	SIZE	DIFFERENTIAL PRESSURE (bar)														
		0,2	0,3	0,5	1	1,5	2	3	4	6	8	10	13	15	20	21
TH21	1/2" – DN 15	70	120	140	255	330	385	455	510	600	670	700	720	750	775	795
TH21LC	1/2" – DN 15	45	55	70	95	125	135	180	200	270	315	330	360	370	405	415

Capacities shown refer to condensate discharge 10 °C below steam saturation temperature (standard type S thermostat).

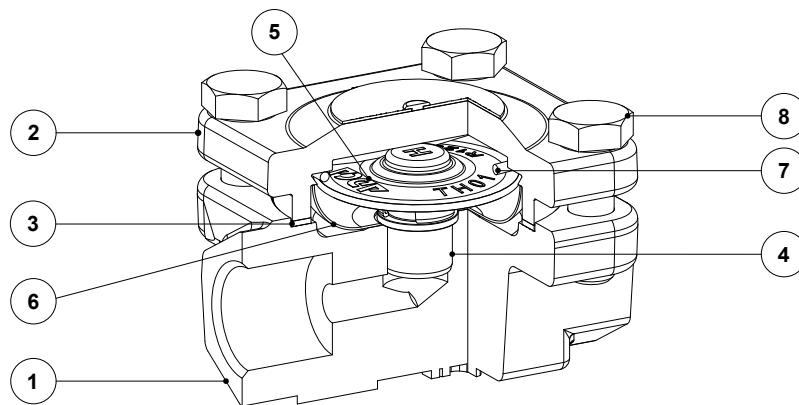
Thermostats for 5 °C (type H) and 30 °C (type L) also available. Capacities for cold condensate discharge at 20 °C are two to three times greater.



DIMENSIONS (mm)

SIZE	THREADED					PN 25		CLASS 150	
	A	B	C	D	WGT. (kg)	E *	WGT. (kg)	E *	WGT. (kg)
1/2" – DN 15	70	35	60	15	0,7	130	2,2	150	1,7

* Other face to face dimensions on request.



MATERIALS

POS. No.	DESIGNATION	MATERIAL	POS. No.	DESIGNATION	MATERIAL
1	Body	P250GH / 1.0460	5	* Thermostatic element	Stainless steel
2	Cover	P250GH / 1.0460	6	* Strainer screen	AISI 304 / 1.4301
3	* Gasket	Stainless steel / Graphite	7	* Spring	AISI 302 / 1.4300
4	Valve seat	AISI 304 / 1.4301	8	Bolt	Steel 8.8

* Available spare parts.